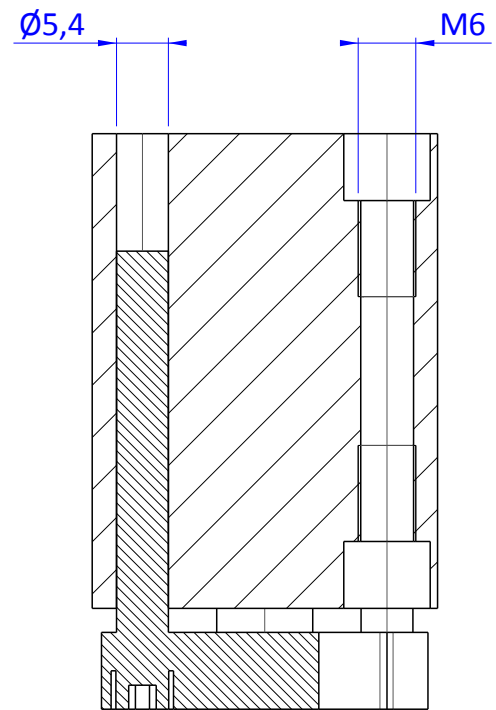
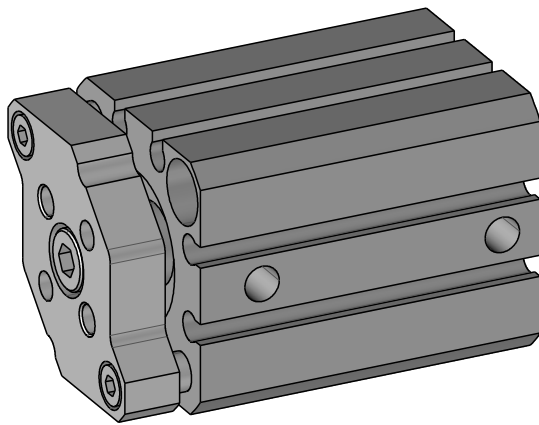
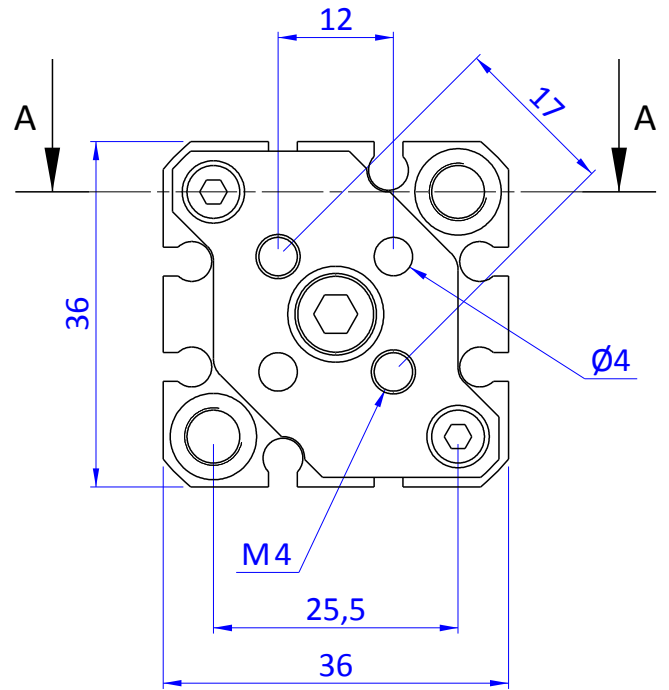
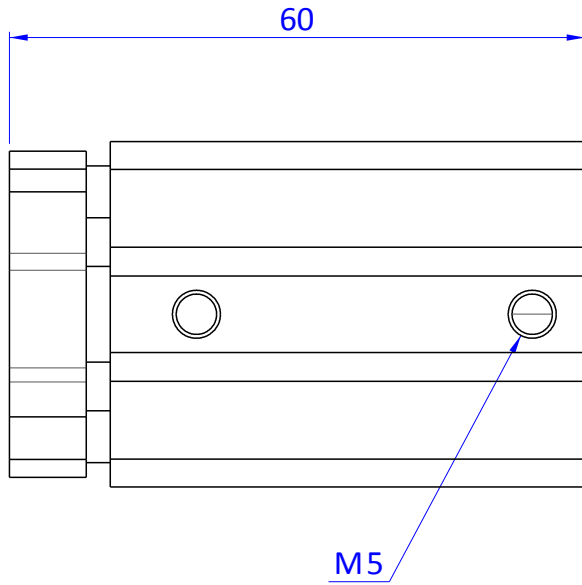

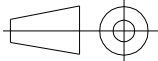


THE PROPERTY OF THE DRAWING IS ESTABLISHED BY LAW. IT IS FORBIDDEN TO PRODUCE OR SHOW IT TO THIRD PART. WITHOUT A WRITTEN AGREEMENT.



A - A

STROKE = 20 mm

<p>Format A4</p> <p>UNI 936-76</p>	 <p><b>FPS</b> FPSERVICES AUTOMATION</p>			DESIGNED FROM		REVIEW
				FPS Automation		A
	GENERAL TOLERANCE			DESCRIPTION		DATE
UNI - ISO 2768		CA.11.17.006		05/07/2019	0.168Kg	
CLASSE f				CA.11.17.006		